

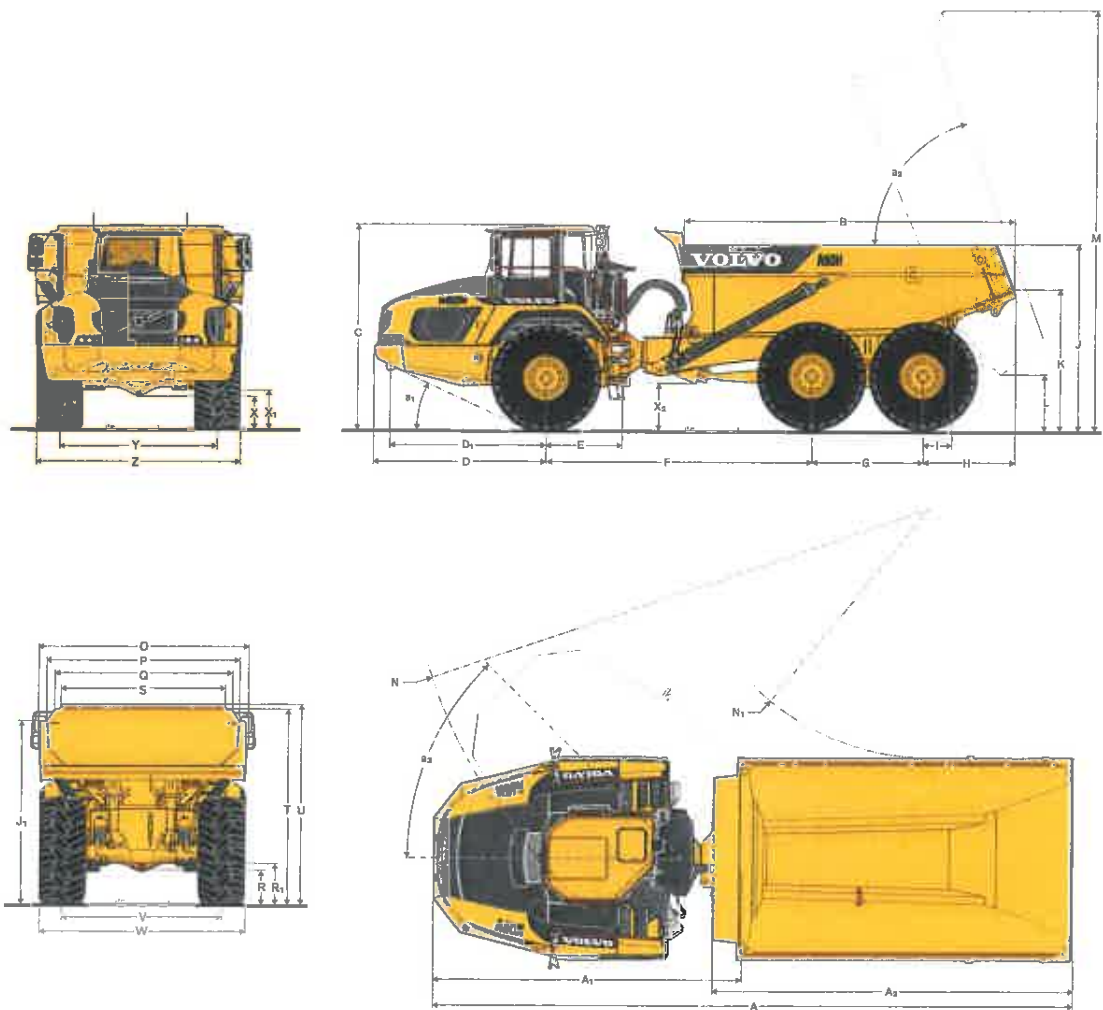
Volvo Construction Equipment
Building Tomorrow



A60H

Volvo Articulated Haulers • 60.6 ton capacity • 630 hp





DIMENSIONS

Pos	Unit		A60H	
A	mm	ft in	12 225	40'1"
A1	mm	ft in	5 872	19'3"
A2	mm	ft in	6 900	22'8"
B	mm	ft in	6 310	20'8"
C	mm	ft in	3 852	12'8"
C1	mm	ft in	1 772	5'10"
D	mm	ft in	3 293	10'10"
D1	mm	ft in	2 986	9'10"
E	mm	ft in	1 440	4'9"
F	mm	ft in	5 050	16'7"
G	mm	ft in	2 140	7'0"
H	mm	ft in	1 743	5'9"
I	mm	ft in	541	1'9"
J	mm	ft in	3 510	11'6"
K	mm	ft in	2 658	8'9"
L	mm	ft in	1 030	3'5"
M	mm	ft in	7 960	26'1"
N	mm	ft in	10 014	32'10"
N1	mm	ft in	4 761	15'7"

DIMENSIONS

Pos	Unit		A60H	
O	mm	ft in	3 989	13'1"
P	mm	ft in	3 673	12'1"
Q	mm	ft in	3 370	11'1"
R	mm	ft in	677	2'3"
R1	mm	ft in	778	2'7"
S	mm	ft in	3 126	10'3"
T	mm	ft in	3 734	12'3"
U	mm	ft in	3 833	12'7"
V	mm	ft in	3 010	9'11"
W	mm	ft in	3 884	12'9"
X	mm	ft in	601	2'0"
X1	mm	ft in	727	2'5"
X2	mm	ft in	845	2'9"
Y	mm	ft in	3 010	9'11"
Z	mm	ft in	3 884	12'9"
a1				24.9
a2				70
a3				45

A60H: Unloaded machine with 33.25R29 tires.



Equipment

STANDARD EQUIPMENT

Engine

Direct injected, electronically controlled, turbocharged, intercooled
Grouped oil filters, for ease of change

Preheater for easier cold starts

VEB (exhaust retarder EPG + compression brake)

Tires

33.25R29

800/80R29

Drivetrain

6x4 and 6x6 automatically engaged drive modes

Dog clutch type 100% diff-locks in all axles

Full automatic transmission

Two-stage dropbox with longitudinal diff-lock

Torque converter with automatic lock-up

Electrical system

80 A alternator

Battery disconnect switch

Co-pilot system

Haul assist on board weighing

Extra 24 V socket for lunch cooler

Lights:

Back-up light

Brake lights

Cab lighting

Direction indicators

Headlights

Instrument lighting

Parking lights

Rear lights

Brake system

Hill assist

Load & Dump Brake

Retarder pedal

Parking brake on propeller shaft

Two circuit, fully hydraulic, wet discs on all axles

Body

Body prepared for exhaust heating and optional equipment

On board weighing (OBW)

Safety

Anti-slip steps and platforms

Dump body lock

Handrails on steps and platforms

Hazard lights

Horn

Protective grill for cab rear window

Rear-view mirrors

Retractable 3-inch safety belt

ROPS/ FOPS protected Care Cab

Secondary steering

Steering joint lock

Windshield washers

STANDARD EQUIPMENT

Windshield wipers with interval function

Dump support system

Comfort

ACC control panel

Ashtray

Cab heater with filtered fresh air and defroster

Can holder /storage tray

Cigarette lighter

Instructor seat with seat belt

Overhead console for radio

Sliding window

Space for lunch cooler

Storage box

Sun visor

Tilt/telescopic steering wheel

Tinted glass

Operator information interface

Gauges

Brake pressure

Fuel

Speedometer

Tachometer

Wet disc brakes cooling oil temperature

Warning lights grouped and easy to read

Central warning (3 levels) for all vital functions

Central positioned information display

Automatic pre-start checks

Clock

Hour meter

Operational information, easy-to-navigate menu

Troubleshooting diagnostics

Exterior

Front mudguard wideners and rear mudflaps

Service and maintenance

Electrical engine hood and belly plate

Drainage hose

Machine Tracking Information System MATRIS

Service platform integrated in the front grill

Tool box

OPTIONAL EQUIPMENT

Engine

Air filter, heavy duty, EON

Engine heater, 240 V

Engine heater, diesel (Eberspacher)

Engine auto shutdown

Engine shutdown timer

External emergency engine stop

High engine idle speed