

ZAXIS-7 series

HITACHI

Reliable solutions

# ZAXIS135/150/155W



## WHEELED EXCAVATOR

Model code : ZX135W-7

Engine rated power : 105 kW (ISO 14396) /  
100 kW (ISO 9249)

Operating weight : 14 500 – 15 900 kg

Bucket ISO heaped : 0.19 – 0.66 m<sup>3</sup>

Model code : ZX150W-7

Engine rated power : 105 kW (ISO 14396) /  
100 kW (ISO 9249)

Operating weight : 15 300 – 17 200 kg

Bucket ISO heaped : 0.19 – 0.66 m<sup>3</sup>

Model code : ZX155W-7

Engine rated power : 105 kW (ISO 14396) /  
100 kW (ISO 9249)

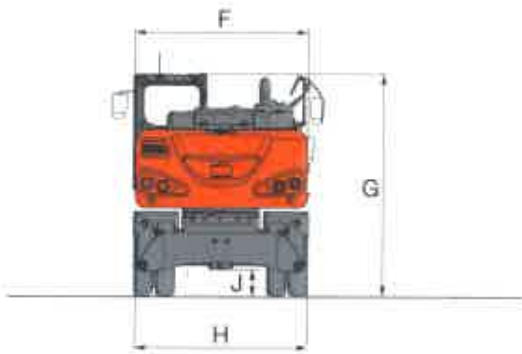
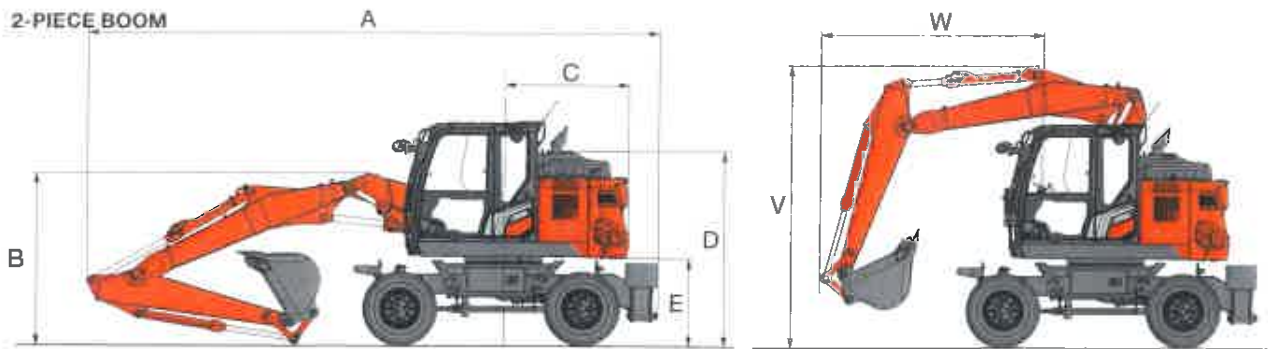
Operating weight : 16 200 – 17 600 kg

Bucket ISO heaped : 0.19 – 0.66 m<sup>3</sup>

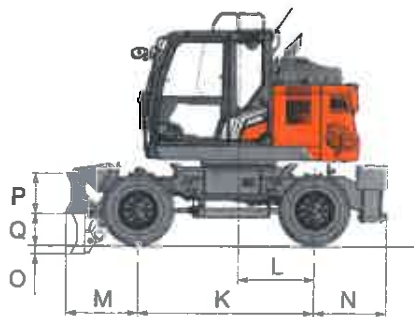
# SPECIFICATIONS

ZX135W-7

## DIMENSIONS



FRONT BLADE AND REAR OUTRIGGER



FRONT AND REAR OUTRIGGER



REAR BLADE

